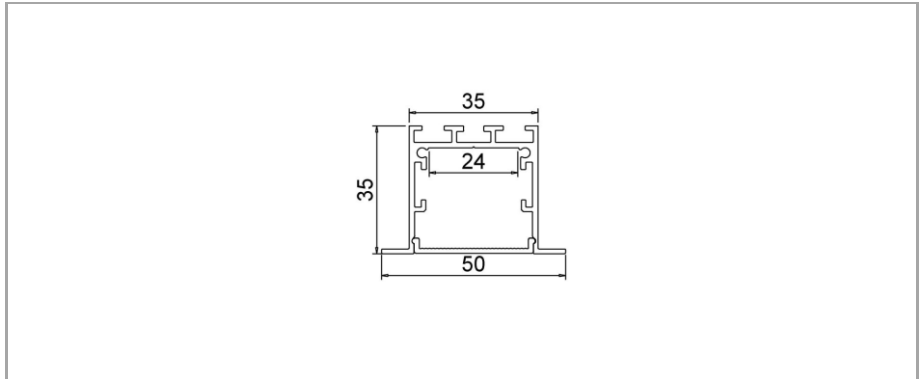
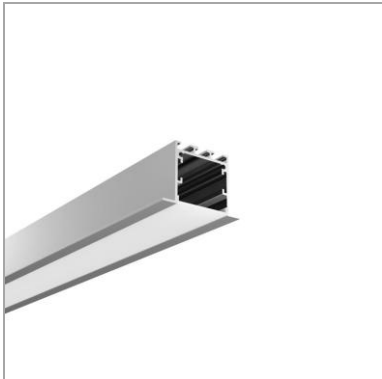


LED PROFILE

APR5035W2

Profilé led encastré APR 35x35mm blanc 2m

Linear Line - Profilés led



IP20



-20 ~ 45 °C



STOCK

Accessoires de montage

COPC3502 Couvercle PC APR5035 opalin 22% 2m

COPC35BL2 Couvercle PC APR5035 noir 70% 2m

MCR5035M Ressort de montage pour APR5035

ECR5035W Kit d'embouts pour APR5035 blanc

Caractéristiques boîtier

Boîtier	6063-T5
Dimensions (mm)	2000x50x35 mm
Couleur	Blanc
Couleur RAL	9003
Couleur niveau brillance	Level 2 (5-10)
Couleur degré brillance	10
Emballage en vrac	15
Poids brut (kg)	1,29
Valeur IP	20
Ta (°C)	-20~45

Caractéristiques profilé LED

Max Watt/mètre	25
Largeur max ruban led (mm)	32,2

LED PROFILE

APR5035W2

Profilé led encastré APR 35x35mm blanc 2m

Linear Line - Profilés led

Rubans led compatible

DIA1282333	9,6W/m	DIA802733	7,2W/m	DUAL1924033	20,8W/m	ECO644033	4,8W/m	ULV10482767	9,6W/m
DIA1282367	9,6W/m	DIA802767	7,2W/m	ECO1282733	9,6W/m	ECO644067	4,8W/m	ULV10483020	9,6W/m
DIA1282733	9,6W/m	DIA803033	7,2W/m	ECO1282767	9,6W/m	ECO802733	7,2W/m	ULV10483067	9,6W/m
DIA1282767	9,6W/m	DIA803067	7,2W/m	ECO1283033	9,6W/m	ECO802767	7,2W/m	ULV10484020	9,6W/m
DIA1283033	9,6W/m	DIA804033	7,2W/m	ECO1283067	9,6W/m	ECO803033	7,2W/m	ULV10484067	9,6W/m
DIA1283067	9,6W/m	DIA804067	7,2W/m	ECO1284033	9,6W/m	ECO803067	7,2W/m	ULV20482720	9,6W/m
DIA1284033	9,6W/m	DOT1282720	10W/m	ECO1284067	9,6W/m	ECO804033	7,2W/m	ULV20482767	9,6W/m
DIA1284067	9,6W/m	DOT1282767	10W/m	ECO1602733	14,4W/m	ECO804067	7,2W/m	ULV20483020	9,6W/m
DIA1602333	14,4W/m	DOT1283020	10W/m	ECO1602767	14,4W/m	FURCOB2720	5W/m	ULV20483067	9,6W/m
DIA1602733	14,4W/m	DOT1283067	10W/m	ECO1603033	14,4W/m	FURCOB3020	5W/m	ULV20484020	9,6W/m
DIA1603033	14,4W/m	DOT1284020	10W/m	ECO1603067	14,4W/m	FURCOB4020	5W/m	ULV20484067	9,6W/m
DIA1604033	14,4W/m	DOT1284067	10W/m	ECO1604033	14,4W/m	RGB24033	18W/m	ULV30482720	7W/m
DIA1922333	17,6W/m	DOT1602720	15W/m	ECO1604067	14,4W/m	RGB24067	18W/m	ULV30482767	7W/m
DIA1922733	17,6W/m	DOT1602767	15W/m	ECO1922733	17,6W/m	RGB6033	14,4W/m	ULV30483020	7W/m
DIA1923033	17,6W/m	DOT1603020	15W/m	ECO1922767	17,6W/m	RGB6067	14,4W/m	ULV30483067	7W/m
DIA1924033	17,6W/m	DOT1603067	15W/m	ECO1923033	17,6W/m	RGBDOT20	15W/m	ULV30484020	7W/m
DIA2402333	22W/m	DOT1604020	15W/m	ECO1923067	17,6W/m	RGBDOT67	15W/m	ULV30484067	7W/m
DIA2402733	22W/m	DOT1604067	15W/m	ECO1924033	17,6W/m	RGBTWDOT20	19W/m		
DIA2403033	22W/m	DOT642720	5W/m	ECO1924067	17,6W/m	RGBW27DOT20	18W/m		
DIA2404033	22W/m	DOT642767	5W/m	ECO2402733	22W/m	RGBW27DOT67	18W/m		
DIA642333	4,8W/m	DOT643020	5W/m	ECO2403033	22W/m	RGBW30DOT20	18W/m		
DIA642733	4,8W/m	DOT643067	5W/m	ECO2404033	22W/m	RGBW30DOT67	18W/m		
DIA643033	4,8W/m	DOT644020	5W/m	ECO642733	4,8W/m	RGBW40DOT20	18W/m		
DIA644033	4,8W/m	DOT644067	5W/m	ECO642767	4,8W/m	RGBW40DOT67	18W/m		
DIA802333	7,2W/m	DUAL1922733	20,8W/m	ECO643033	4,8W/m	TWDOT20	15W/m		
DIA802367	7,2W/m	DUAL1923033	20,8W/m	ECO643067	4,8W/m	ULV10482720	9,6W/m		